

DRILLTEQ V-500

Compact. Smart. Vertical.

The flexible power pack on less than 10 m².







DRILLTEQ V-500

Compact. Smart. Vertical.

The flexible power pack on less than 10 m²: Space-saving due to vertical construction. No setting times due to clamping system. Faster drilling due to powerful drilling equipment. Resource-saving due to no-vacuum clamping technology.

YOUR SOLUTION

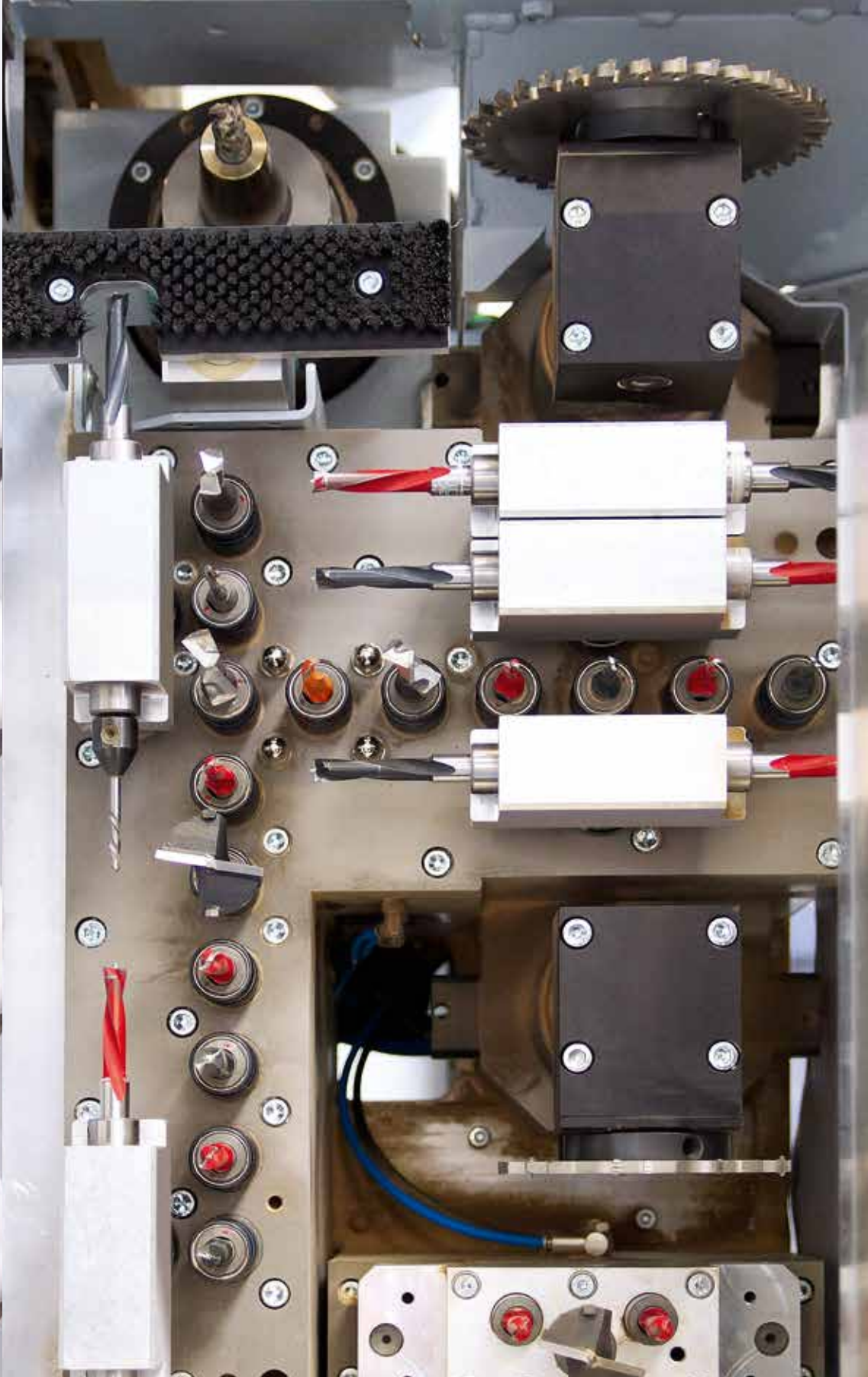
MORE: [HOMAG.COM](https://www.homag.com)



DRILLTEQ V-500

CONTENTS

- 04 25-Spindle Configuration
- 05 36-Spindle Configuration
- 06 All inclusive – Hardware
- 08 Option – Dowel Insertion
- 09 Option – Process Optimization
- 10 Application examples & Everything at a glance
- 12 Option – Workpiece Return System
- 13 Option – Robot Connection
- 14 All inclusive – Software
- 15 Option – Software
- 16 Apps and digital assistants
- 18 Life Cycle Services
- 19 Technical Data



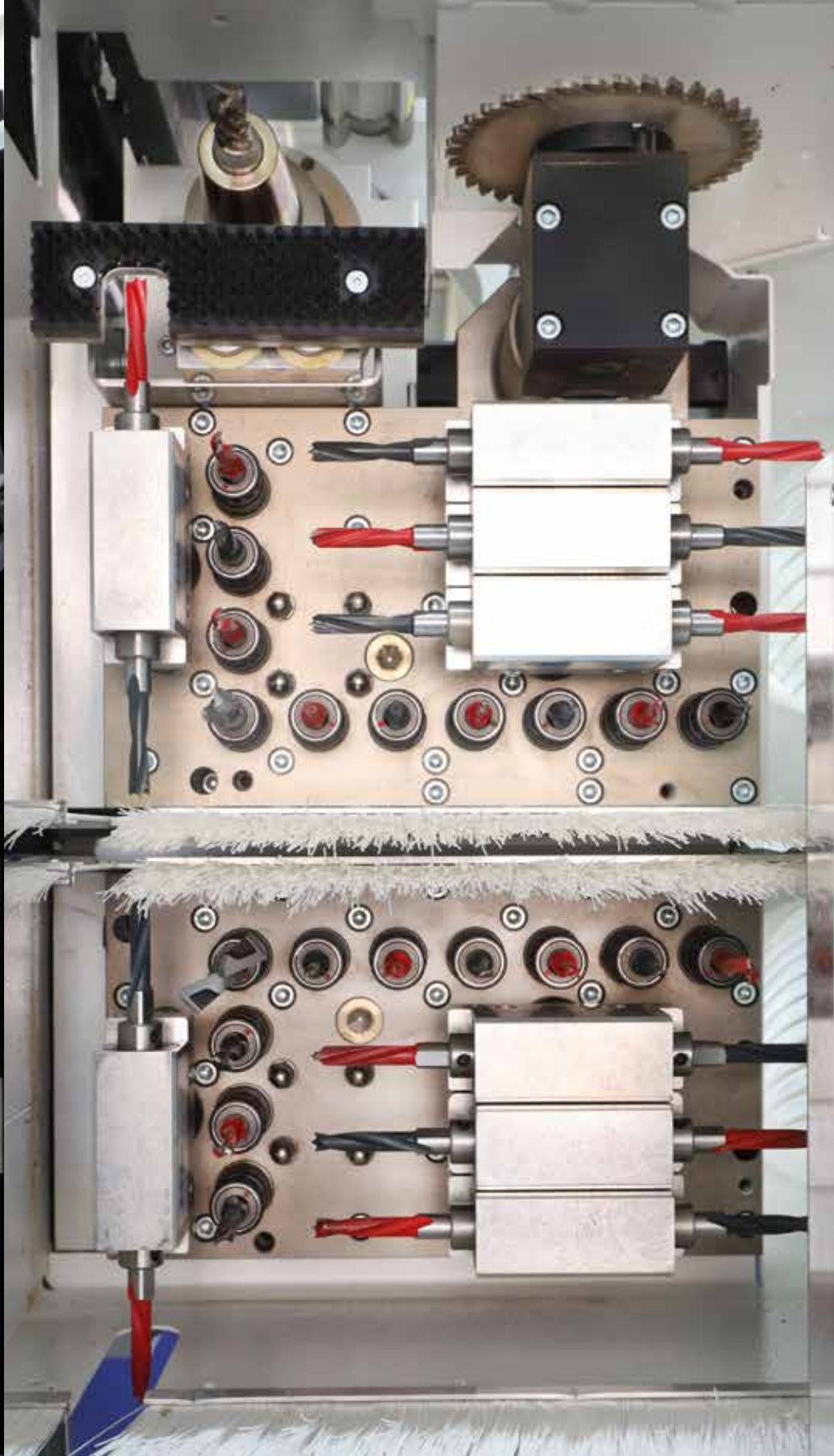
25-spindle Configuration

STANDARD

- 1 routing motor with 10 kW
- 25 individually activated drilling spindles (15 vertical / 10 horizontal spindles)
- 1 swivelling grooving saw \varnothing 125 mm
- 4-fold tool changer

OPTIONAL

- 1 disk router 0-90° (e.g. $d=100.4$ mm for ClamexP) or/and
- additional 3-spindle drill head (e. g. hinge hole processing)



36-Spindle Configuration

STANDARD

- 1 routing motor with 10 kW
- 36 individually activated drilling spindles (2 x 10 vertical / 2 x 8 horizontal)
- 1 swivelling grooving saw \varnothing 125 mm
- 4-fold tool changer

Your benefits:

Especially in the case of complex drilling patterns the Split-Head configuration (2 x 18 spindles) provides significant time savings.

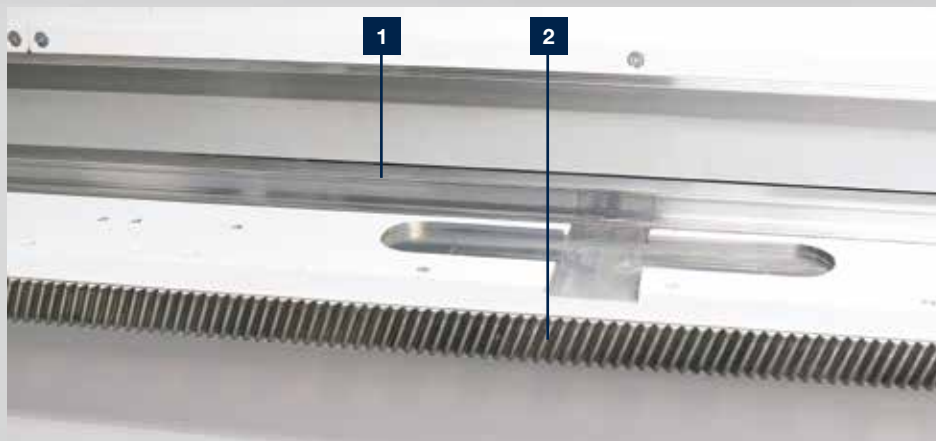
All inclusive – Hardware

TOP EQUIPMENT RIGHT FROM THE BEGINNING: Already in the standard elementary technologies are included, which ensure sustainable highest processing quality.



Flexible processing height

- Working height from 50 mm (A) to 1250 mm (B)
- Large working field, more flexibility



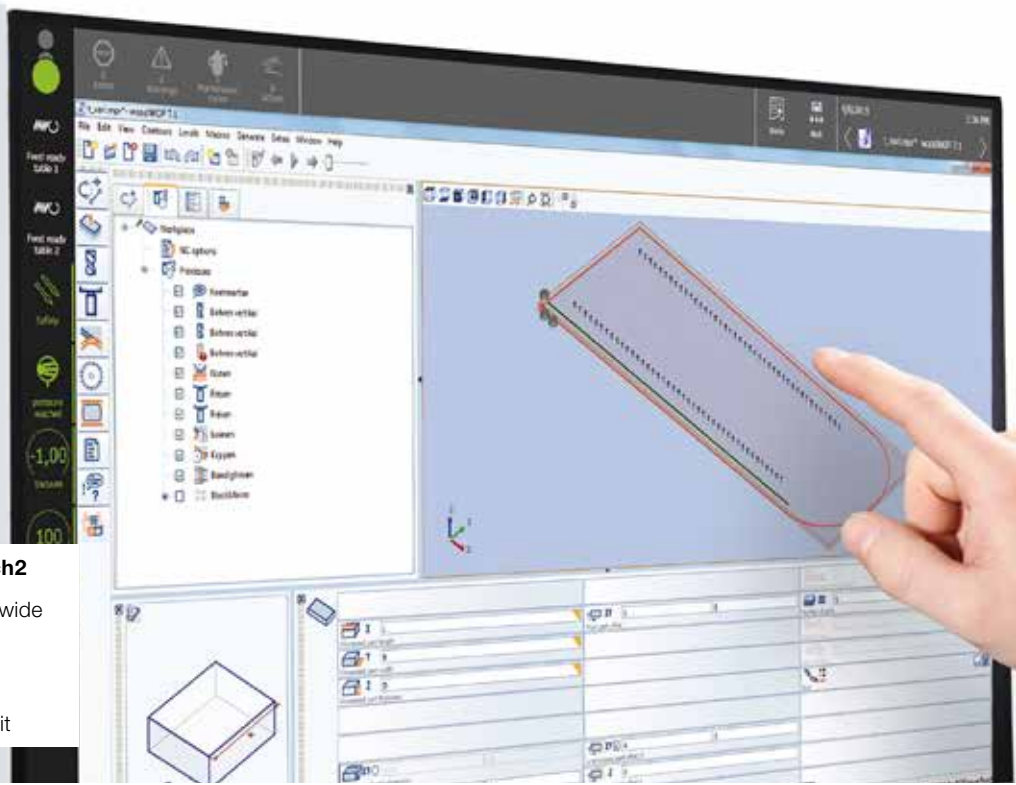
1 Covered linear guide with closed guide carriage

2 Rack and pinion drive systems in X

High quality engineering

HOMAG stands for quality. For this reason we use high-quality components in all our series. Combined with robust and solid steel constructions this ensures long service lives and reliable processes. These are our standards, and we are ready to be measured by them.

HOMAG



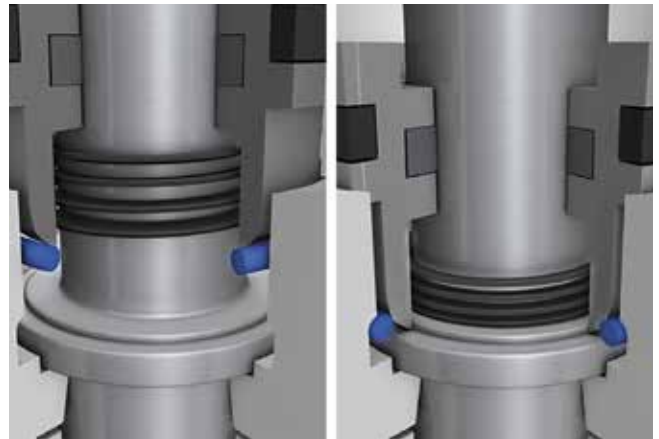
powerControl with powerTouch2

- Full-HD multitouch display with wide screen 16:9
- Front USB interface
- Ethernet connection 10/100 Mbit



Drill quick-change system

- The patented system ensures easy installation or change of drilling bits. Your easy way to save time!



Automatic spindle clamping

- Patented system for exact drilling depth at any time with different materials
- Lasting assurance of drilling quality



Workpiece load- and workpiece removal area

- Mechanical support via roller conveyor in the loading- and removal area of the machine.



CNC-controlled clamping system

- No-vacuum fixing and precise positioning of workpieces. You save 100% vacuum power.

Option – Dowel Insertion

The dowel insertion function is combined with one of the two main configurations. They give you much more flexibility in your application fields.



Vibration conveyor

- For standard dowel 8 x 30 mm, 8 x 35 mm or 8 x 40 mm
- Machine will be delivered with dowel dimension 8 x 35 mm set by the manufacturer



Dowel driving unit

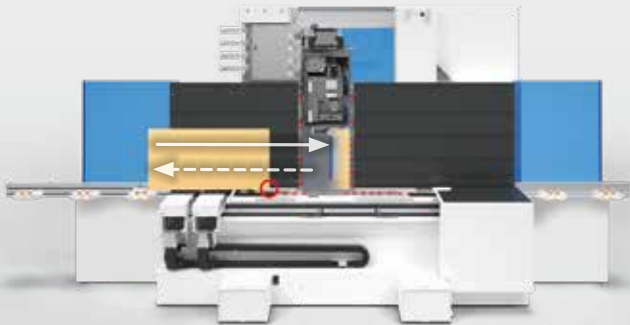
- Horizontal dowel insertion by means of powerful aggregate technology
- Exact insertion of dowels into defined positions



Glue supply system

- Extension of the dowel insertion unit for the use of low viscose glue (e. g. white glue)

Option – Process Optimization

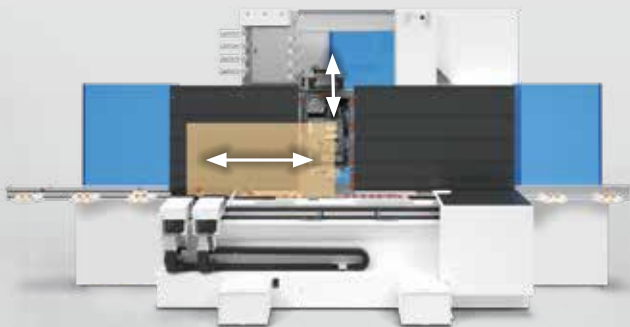


1. PROCESS ACCELERATION:

Let the machine calculate for you! In doing so you accelerate processes and safeguard quality

Length depending processing in X-direction – automatic adjustment of drills depending on dimensions

- After the workpiece has been released for processing its length is measured accurately by a measuring run. Dimensiondepending drillings are then corrected automatically by possibly determined tolerances. You save time and gain quality.



2. PROCESS SAFEGUARDING:

Plausibility check – Benefit from additional safeguarding of processes

- Control of the workpiece by sensor technology in X- and Y-direction. Comparison with the values in the database. If the defined tolerance value is exceeded, the current process stops. At the same time the operator receives a message to correct the workpiece. This way you remain on the safe side.



3. PROCESS AUTOMATION:

Automate your processes – Benefit from the optional barcode connection

- Barcode reading system inclusive: Scanner, Software (also available separately)
- Supported barcodes: 1D – Barcode, 2D – Data Matrix Code
- Every workpiece is exactly identified for the further workpiece flow
- Basis for a faster flow of workpieces with higher process quality



Everything at a glance...

	Working length		Routing spindle		Drilling gear				2. grooving saw	Tool changer	Doweling
	2,500 mm	3,050 mm	ETP 5 kW	HSK 10 kW	V8 H6 N	V13 H6 N	V15 H10 N	2*V10 H8 N			
DRILLTEQ V-200	✓	○	✓	-	✓	-	-	-	-	-	-
DRILLTEQ V-200	✓	○	○	○	-	✓	-	-	-	4-fold	-
DRILLTEQ V-500	-	✓	-	✓	-	-	✓	-	○	4-fold	○
DRILLTEQ V-500	-	✓	-	✓	-	-	-	✓	-	4-fold	○

Application examples



- Continuous back panel groove
- Planar drilling operations for eccentric connecting fitting
- Classical dowel holes in the front
- Illustration shows the Minifix connector from Häfele



- Front side routing with T-slot routing cutter
- Illustration shows the removable Clamex P-connector from Lamello



- Drilling processing to complement a nesting machine
- Illustration shows the Cabineo nesting connector from Lamello

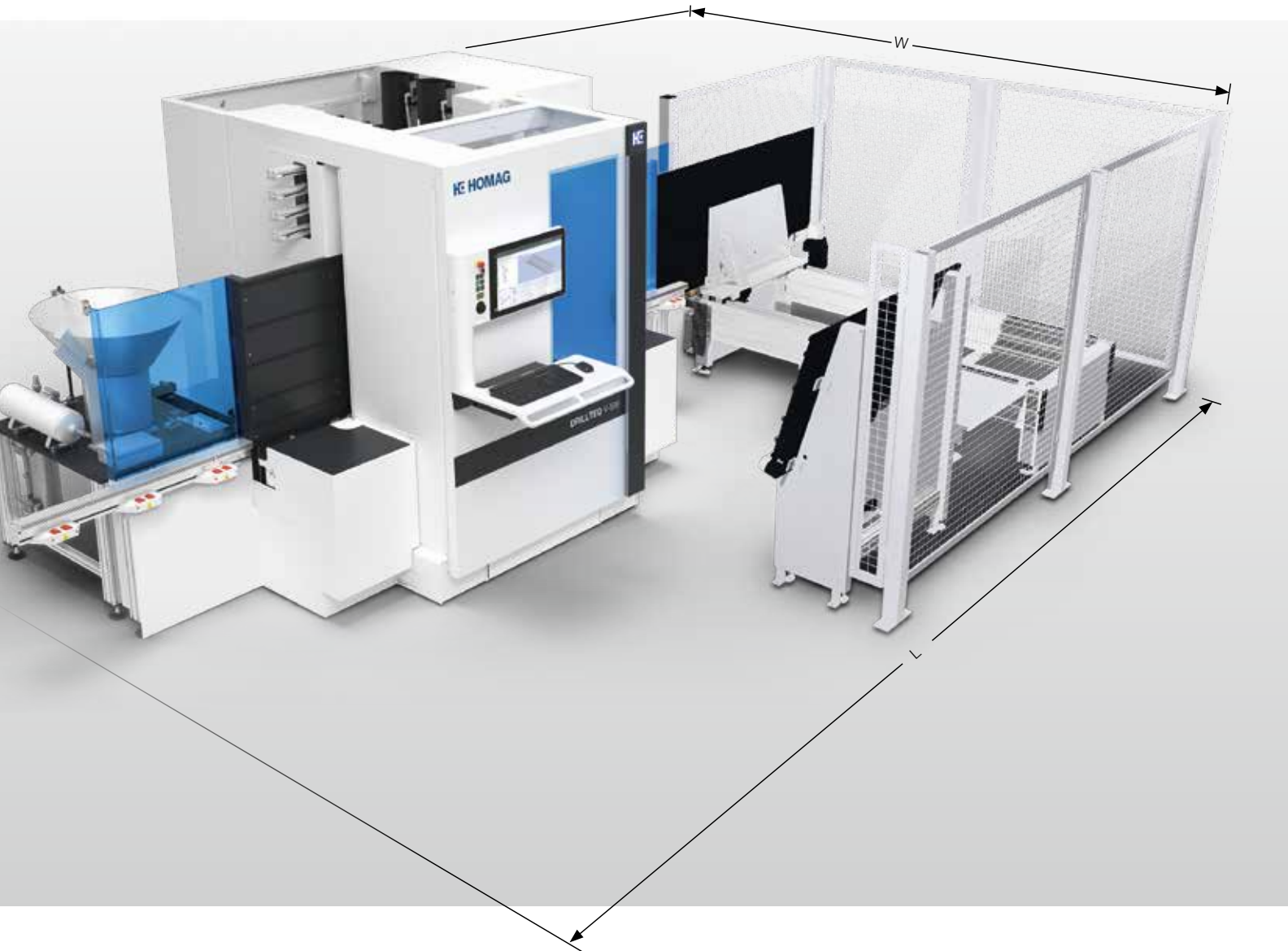
Equipment

Plausibility check	Length-dependent processing in X-direction	Quick-change system	Return	Automatic workpiece thickness adjustment	Workpiece clamping device	tapio-ready	cabinetCreator	Robot connection	Cell control	Setup time
✓	○	✓	-	✓	1	✓	○	○	○	⇒ 0
✓	○	✓	-	✓	1	✓	○	○	○	⇒ 0
✓	○	✓	○	✓	2	✓	○	○	○	⇒ 0
✓	○	✓	○	✓	2	✓	○	○	○	⇒ 0

Standard: ✓

Option: ○

Option – Workpiece Return System



Your benefits at a glance



**Minimized
waiting time!**

15%

**Your processes
become more
efficient by up
to 15%**



Compact handling concept!

- Place requirement for minimum stage of extension: L 6400 mm x W 3900 mm
- Place requirement for maximum stage of extension: L 7200 mm x W 3900 mm

Option – Robot Connection

DRILLTEQ V-500 with robot. Safe, precise, automatic handling of workpieces for more efficient production.



Your benefits at a glance



More time for value adding activities through maximum technical availability.

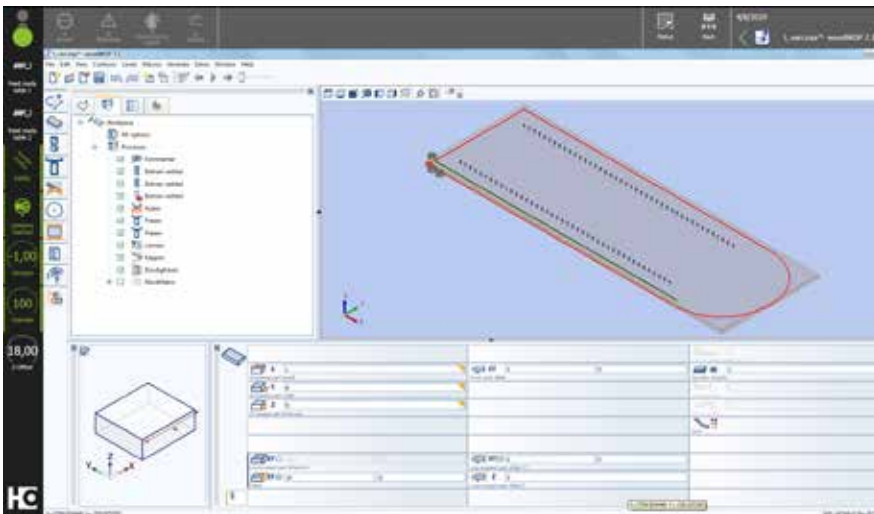


Perfect solution for future-oriented companies:

- Independent processing
- Compact installation space

All inclusive – Software

WITH THIS SOFTWARE PACKAGE YOU ARE »READY TO RACE«. You will receive one of the most established CNC-programming systems, the woodWOP software, which has proven itself by more than 30.000 installations worldwide.

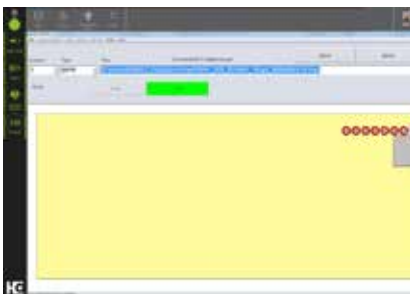


Nutzen Sie auch unsere Internetpräsenz!

Weltweit größtes Forum zum Thema woodWOP:
forum.homag.com

woodWOP | License Machine

- Fast and intuitive operation thanks to simple, direct navigation
- Select from a choice of variables for flexible variable programming
- Quickly create individual subprograms
- Increased programming security through 3D images of workpieces, processing and clamping equipment.



Slot assignment

- Simple control of main machine functions through soft keys
- Graphical configuration
- Automatic mirroring of workpieces



woodWOP DXF Basic

- Interface for CAD-Data Import
- Basis to generate woodWOP programs

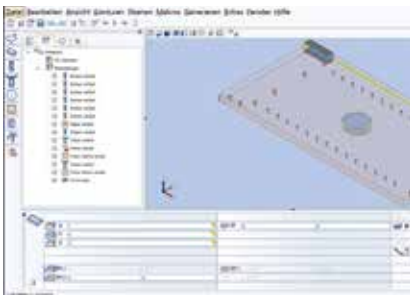


Machine data acquisition MMR Basic

- Record quantities and actual operating times on the machine
- Integrated maintenance instructions for optimum time and quantity-based planning, as well as performing maintenance

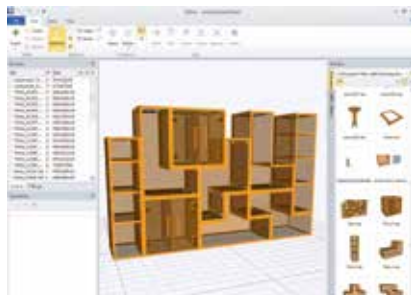
Option – Software

WITH ADDITIONAL SOFTWARE MODULES you can further optimize your processes.



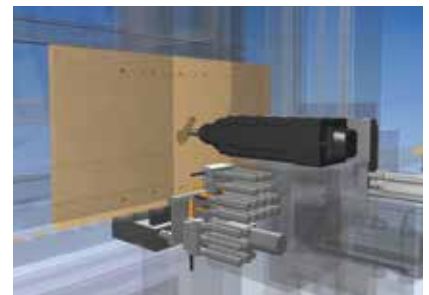
woodWOP | License Office

- Single user or network licenses available
- Incl. DXF-Import CAD-Plugin to create your own CAD drawings on the machine and at the workplace



woodAssembler

- To visualize woodWOP programs (MPR) in 3D
- Enables the construction of individual workpieces to finished objects



3D CNC-Simulator

- Simulates the processing acc. to the order set in the NC program
- Allows time calculation



tapio-ready

- Simply “connect” the machine with tapio to use all innovative digital tapio products
- The free use of tapio MachineBoard is included in the standard

ADDITIONAL SOFTWARE

1. woodWOP Office

2. 3D CNC-Simulator

3. woodAssembler



Package

Apps and digital assistants.

Quick and easy support in your machine environment.

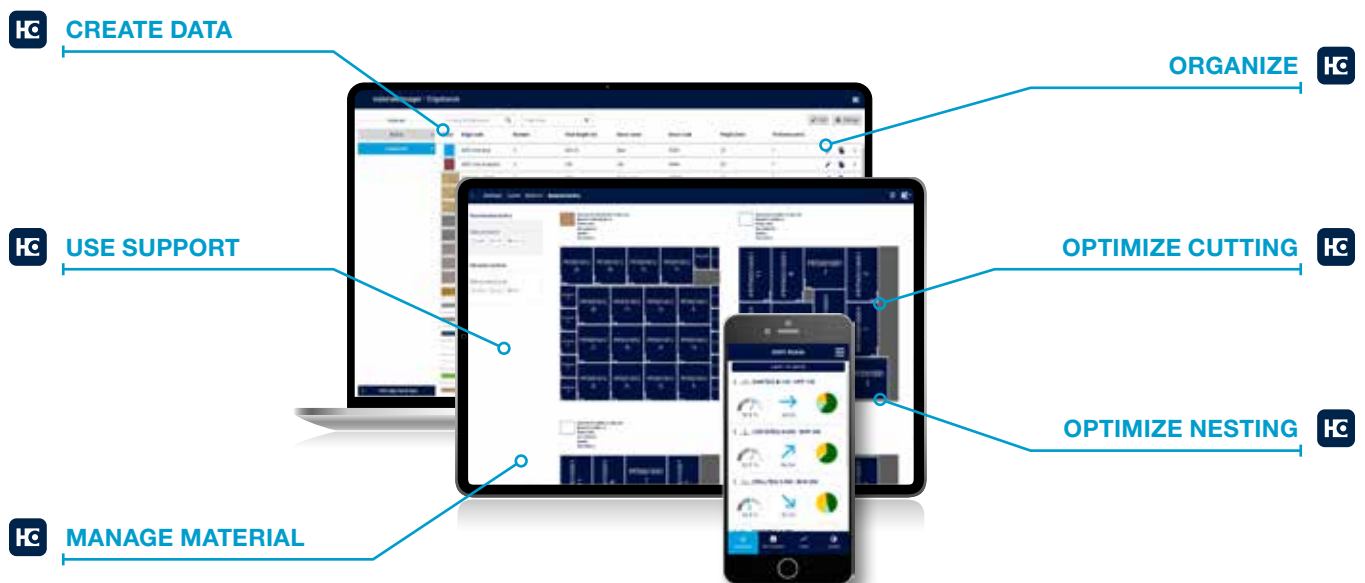
Some people still use pen and paper to create their cutting patterns. But they look at their smartphone if they want to know what the weather is like – instead of looking out of the window. We asked ourselves: why not combine the best of both? Our apps and digital solutions make your everyday work easier: machines, material, tools, cutting patterns, components – you always have everything in your pocket or on your desk.

EXCERPTS FROM YOUR FEEDBACK:

- Are there simple solutions that can eliminate various obstacles in my day-to-day work (e.g. when organizing materials or sorting parts)?
- Is there a way to slowly approach using digital assistants?
- Which tools can you try out simply and easily without having to invest huge sums of money straight away?

OUR ANSWER? SMART AND POWERFUL SOLUTIONS:

- ✓ Always low investment
- ✓ Always up to date (no updates necessary)
- ✓ Always easy to use (no complex software)
- ✓ Always helpful





THE ADVANTAGES AT A GLANCE

- No investment, update or maintenance costs
Low starting price, no unplanned financial expense
- Licenses are independent of the user
Any number of employees can use the application without incurring additional costs
- Independent of hardware and operating system
Can be used anywhere, anytime
- Open system – import possible from almost all systems (ERP, industry software, CAD/CAM, Excel, CSV)
No obligation to use specific software systems
- Simple, smart operation
Minimal training required
- More efficient production
Jobs completed more quickly, more safely and in higher quality



More information at
digital.homag.com

VALYOU

Our Mission, Your Performance.

Fast support:

94% resolution rate
via our hotline

Close to you:

1,350 service experts worldwide

We get things moving:

Over 1,000 worldwide spare parts
shipments each day

No one else has that:

Electronic documentation on over
150,000 machines, available in 28
languages

LIFE CYCLE SERVICES

Improved performance, more efficient processes, faster help, assurance of availability and smarter working.

VAL YOU comes from VALUE ADDED. Our objective is derived from this name: We create added value for your business by helping you get the most out of your processes. Every day.

Technical data



* A corresponding safety distance must be maintained in the in and outfeed direction! (See documentation)

TECHNICAL DATA			DRILLTEQ V-500	DRILLTEQ V-500 with automatically return system
Workpiece dimensions max.	Length x width x height	mm	3,050 x 1,250 x 80	2,300 (3,050) x 1,250 x 80
Workpiece dimensions min.	Length x width x height	mm	200 x 50 x 8	350 x 60 x 8
Workpiece weight max.		kg	60	60
Vector speed		m/min	(X - Y) 50 - (Z) 15	(X - Y) 50 - (Z) 15
Total machine weight		kg	approx. 3,500	approx. 3,500
Installation dimensions	L x W x H	mm	4,740 x 2,380 x 2,500	6,340 (7,090) x 3,800 x 2,500



HOMAG Group AG

info@homag.com
www.homag.com

YOUR SOLUTION